

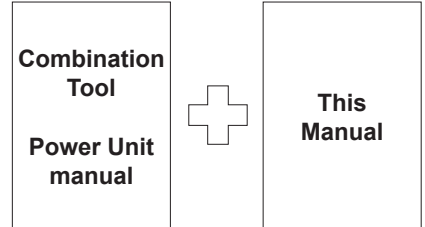
Extension Attachment EX PRO

⚠ DANGER

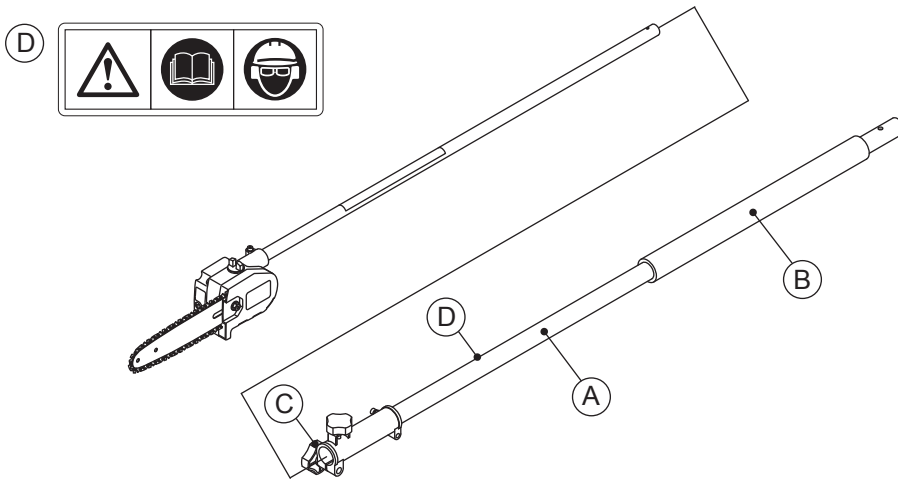
This extension attachment is only for pruner attachment.

1. Introduction

Thank you for purchasing this product.
 Before using this product, completely read and understand this manual and Combination Tool Power Unit manual you already have.
 Keep it in a safe place for future reference.



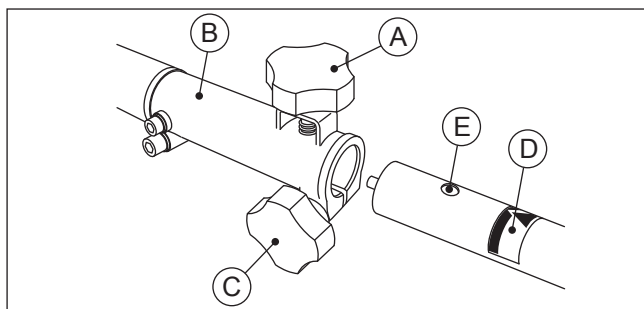
2. Description



A. Pipe Assembly
 B. Rubber Grip

C. Knob
 D. Warning Label

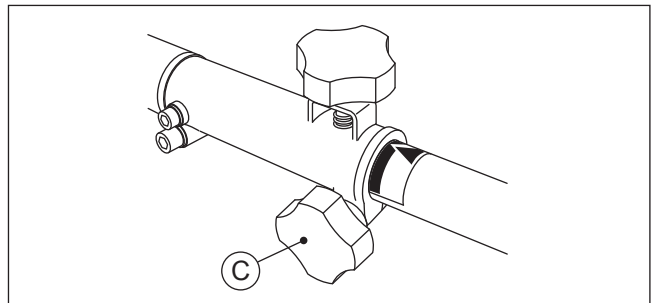
3. How to Assemble the Attachments



A. Stop-pin Knob
 B. Power Unit Joint Case
 C. Knob
 D. Label
 E. Stop-pin Hole

1. Work in level place.
2. Take a knob (C) out of a bag.
3. Pull and turn the stop-pin knob (A) to release stop-pin's lock.
4. When "⚠ mark" is on the pipe, you can put in or pull out your attachments.
 If it is difficult to put in, twist the attachment's pipe and put it in tightly.
 When put it in tightly, turn the knob and move "⚠ mark" to on the pipe to lock it.

⚠ WARNING
 It will be able to cause injury if attachment dose not put in tightly.



- C. Knob
5. Confirm the stop-pin is put in to stop-pin hole (E). Tighten the knob (C) to fix it.